



Compact and cost-effective: drylin E linear robot

New linear robot from igus shipped as early as same-day

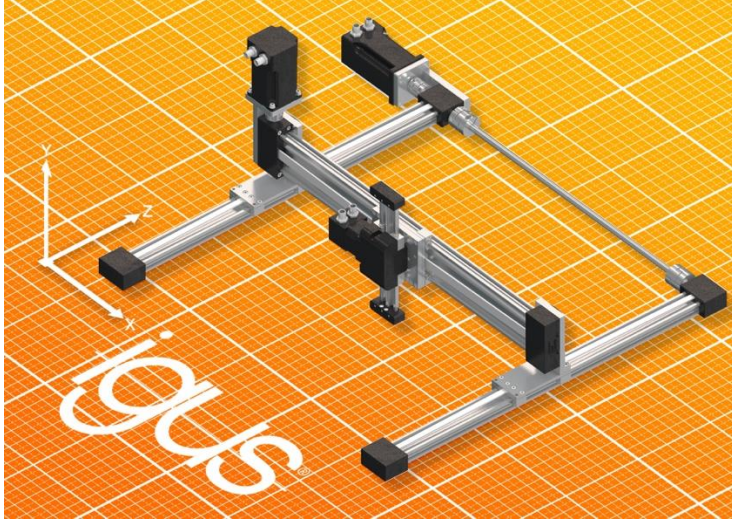
Since products need to be manufactured quickly and cost-effectively, the pressure to automate production processes is greater than ever. To meet these growing requirements, igus has developed a new, compact linear robot that is shipped from stock as early as same-day and offered at a low price of \$2,165. The self-lubricating and maintenance-free drylin E linear robot is suitable for a wide range of applications, from pick & place technology to medical devices with strict safety requirements. The small, complete solution can carry loads of up to 2.5 kilograms (5.5 pounds) at maximum speeds of up to 0.5 meters-per-second (1.64 feet-per-second). “In the robot, the drylin ZLW toothed belt axes and drylin GRW gear rack axis ensure accuracy, and the sliding elements made of high-performance plastic ensure self-lubricating operation,” said Matt Mowry, drylin product manager at igus.

Mounting brackets for system profiles are also available. The robot is shipped ready to connect with NEMA17/23 stepper motors and encoders, making it easy to mount the system.

drylin E linear robots from stock

In addition to the new drylin E linear robot, igus also supplies line and flat linear robots directly from stock. All linear robots include pre-configured drylin linear modules and linear axes with NEMA stepper motors, as well as the components required for self-assembly. Users have the option of assembling their own custom linear robot with the online configuration tool, available [here](#). Depending on customer requirements, axis length and various motors can also be configured with igus energy chains and cables.

Caption:



Picture PM6217-1

Self-lubricating and precise travel on three axes is possible with the new drylin E linear robot designed for small spaces. (Source: igus GmbH)



About igus®

igus® develops industry-leading energy chain® cable carriers, chainflex® continuous-flex cables, drylin® linear bearings and linear guides, iglide® plastic bushings, and igubal® spherical bearings. These seemingly unrelated products are linked together through a belief in making functionally advanced, yet affordable plastic components and assemblies. With plastic bearing experience since 1964, cable carrier experience since 1971 and continuous-flex cables since 1989, igus provides the right solution from over 100,000 products available from stock. No minimum order required. For more information, contact igus at 1-800-521-2747 or visit www.igus.com.

CONTACT:

igus® Inc.
PO Box 14349
East Providence, RI, 02914
Tel.: 800.521.2747
Fax: 401.438.2200
sales@igus.com
www.igus.com

igus®, energy chain®, drylin®, chainflex®, iglide®, readychain®, triflex®, and igubal® are registered trademarks of igus Inc. All other company names and products are trademarks or registered trademarks of their respective companies.

PRESS CONTACT:

Chris Dennen
Marketing Manager
North America
401.438.2200 ext. 211
igus® Inc.
PO Box 14349
East Providence, RI 02914